

124-600 CST

filter ball valve



124-600 filter ball valves



Application

With changes in building construction, there is a continual requirement for more compact and multi-functional valves. The Altecnic filter ball valve combines the function of a ball isolating valve with the benefit of a strainer/ filter to meet these requirements.

The filter ball valve is the ideal compact valve for use with appliances requiring regular maintenance along with the protection from dirty water supplies which may affect their performance.

The length of the filter element is almost twice that of similar filter ball valves allowing for longer periods between emptying and reducing the frequency of clogging.

The valve provides the benefits of ensuring the water is filtered and can be isolated, should this be required.

Construction Details

Component	Material	Grade
Body	Brass - chrome plated	BS EN 12165 CW617N
End connections	Brass - chrome plated	BS EN 12165 CW617N
Ball seat	PTFE	
Ball	Brass - chrome plated	BS EN 12165 CW617N
Stem	Brass	BS EN 12164 CW614N
Stem seals	NBR and FKM	
Filter	Stainless steel & nylon	AISI 304
Cap	Brass	BS EN 12164 CW614N
Cap seal	NBR	
Lever	Steel - zinc plated, plastic cover	

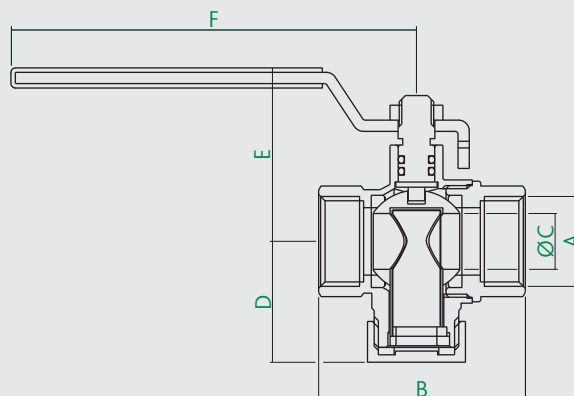
Technical Data

Max. Pressure	1/2" to 1":	30 bar
Max. Pressure	1 1/4" to 2":	20 bar
Max. Temperature:		140°C
Working temp. range:		-20 to 100°C
Strainer mesh size:		500 µ - 0.5 mm
Threaded ends:		BS EN ISO 228 -1

Kv Values

Size	1/2"	3/4"	1"	1 1/4"	1 1/2"	2"
Kv value	3.22	5.58	5.97	10.12	17.14	32.30

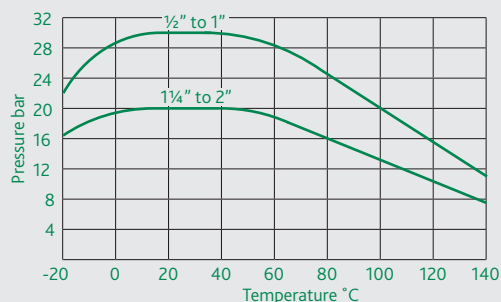
Dimensions



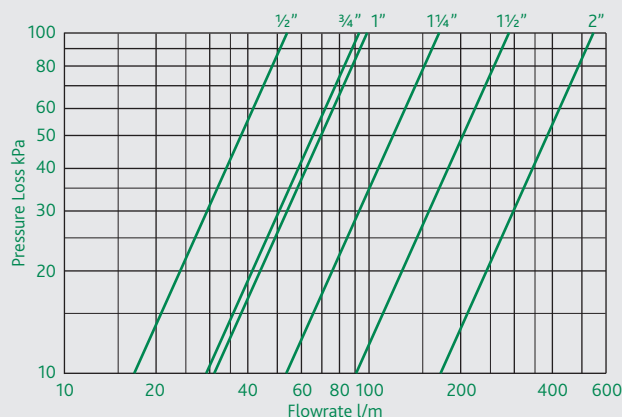
Prod Code	A	B	C*	D	E	F
124-6003 CST	G 1/2	50.7	12	31	44	100
124-6004 CST	G 3/4	61.3	16	35	48	100
124-6005 CST	G 1	70	20	39	51	100
124-6006 CST	G 1 1/4	85	28	52	74	158
124-6007 CST	G 1 1/2	98	36	58	80	158
124-6008 CST	G 2	117	46	69	89	158

* 1/2" complies with the full bore and the other sizes exceeds the reduced bore diameter circle specified in BS EN 13547.

Pressure - Temperature Diagram



Pressure Loss Diagram



Altecnic Ltd Mustang Drive, Stafford, Staffordshire ST16 1GW

T: +44 (0)1785 218200 E: sales@altecnic.co.uk

Registered in England No: 2095101

altecnic.co.uk

AL 285 25-07-18

E & O.E

© Altecnic Limited. 2018

ALTECNIC™

altecnic
Caleffi group